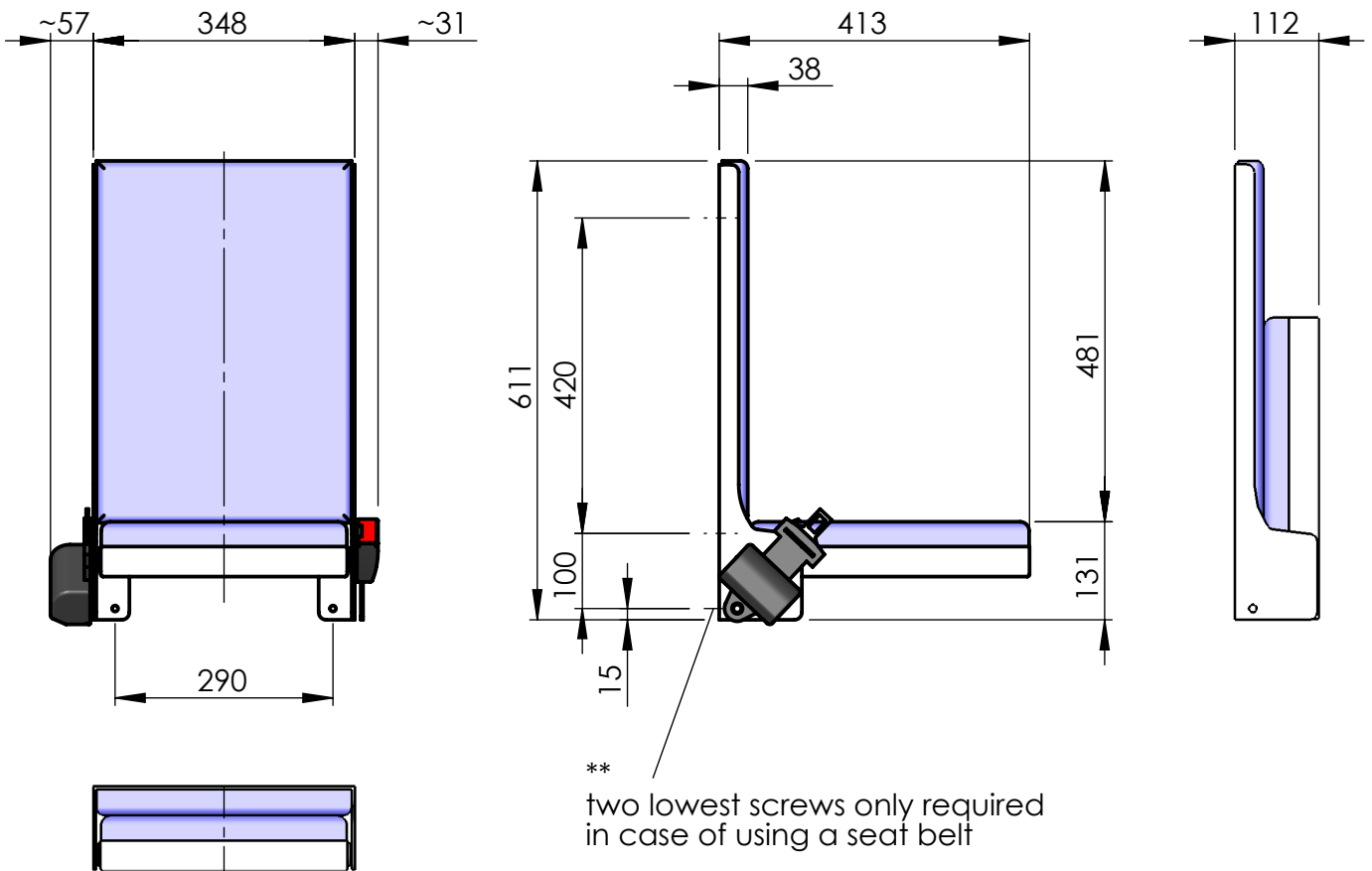
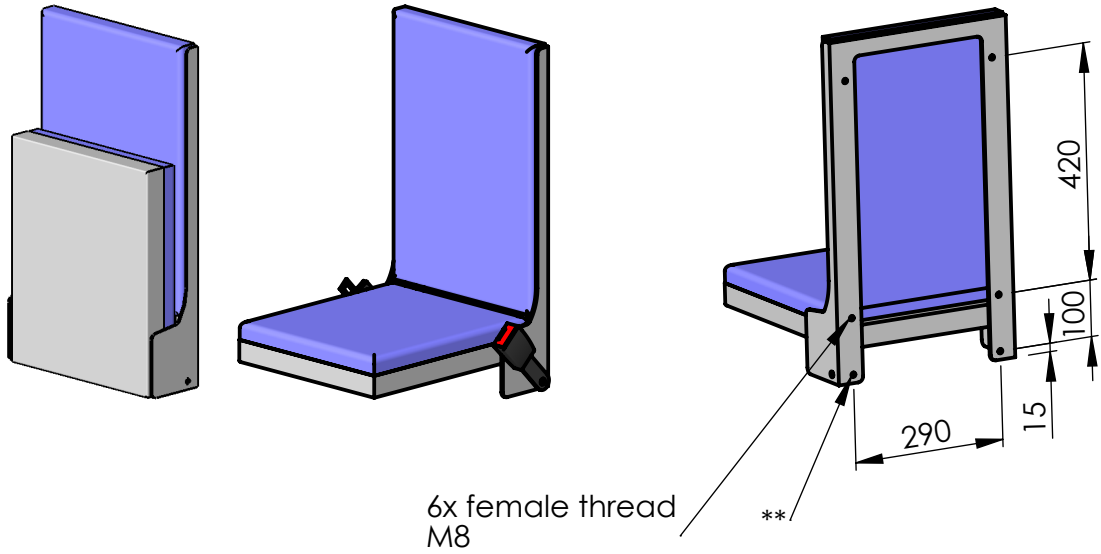


Model 090-32
Passenger seat
 with fixing points for seatbelt (2-point-seatbelt per request)



optional: reinforcing plates 090-32-44