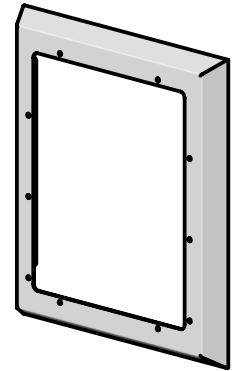
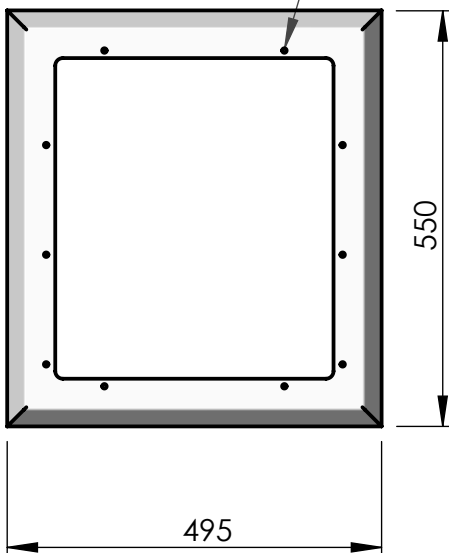


Model 104-14
Space frame for flush built-in fold down seat
 to reduce installation depth

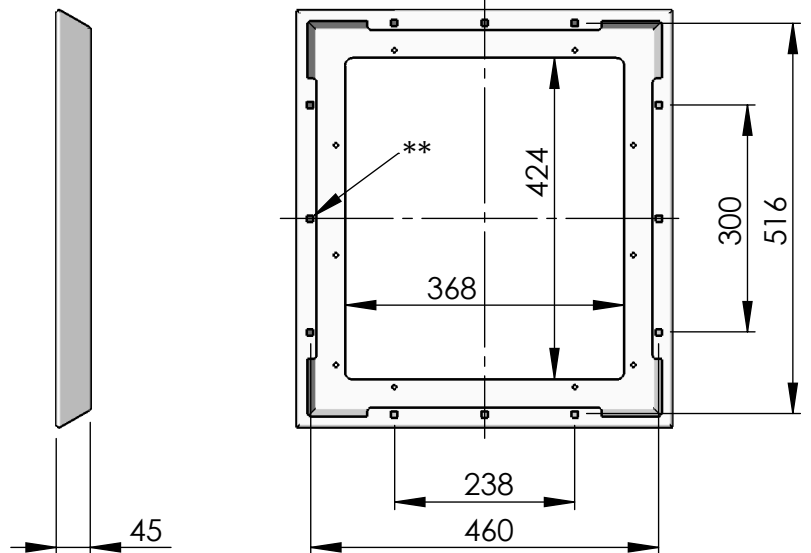


10x M6 for seat

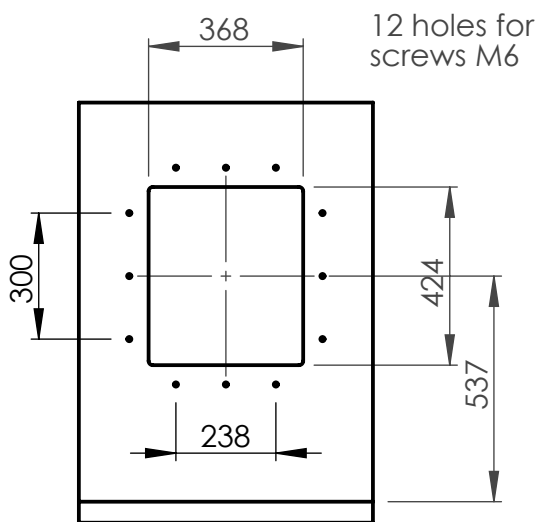
front view



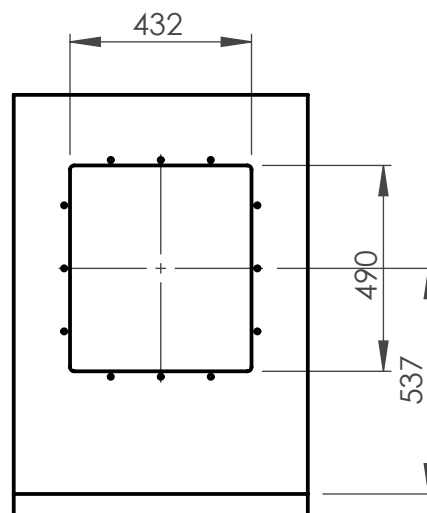
rear view



** 12 holes □8,5 or 12 threads M6
 (thread inserts supplied loose)



min. cut-out



max. cut out

recommended cut-out

