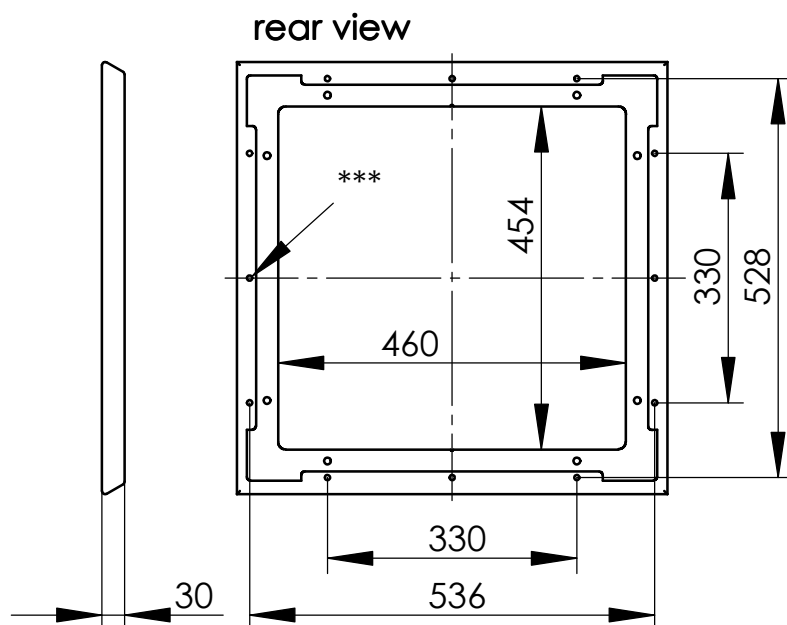
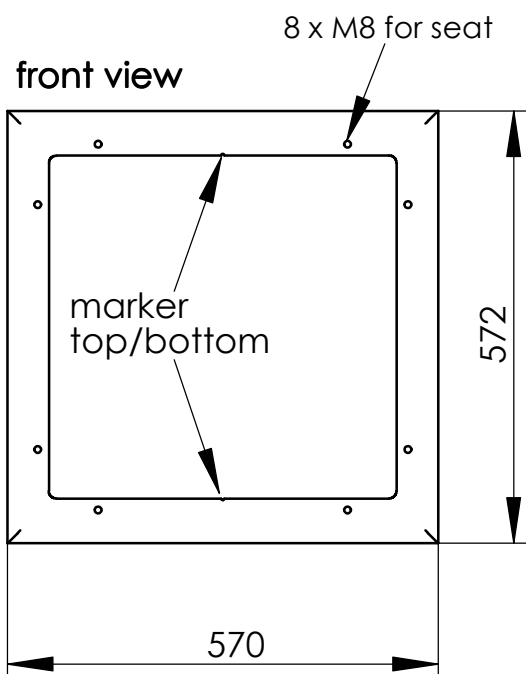
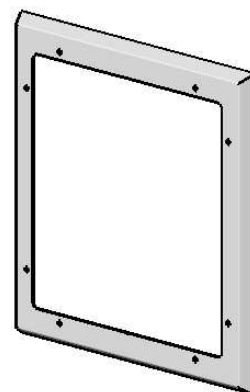
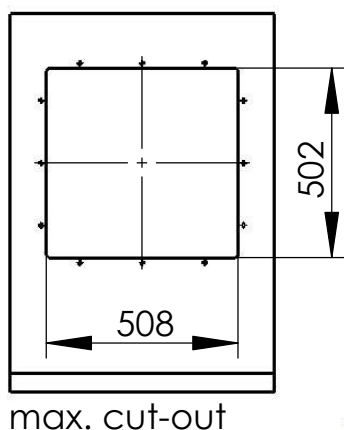
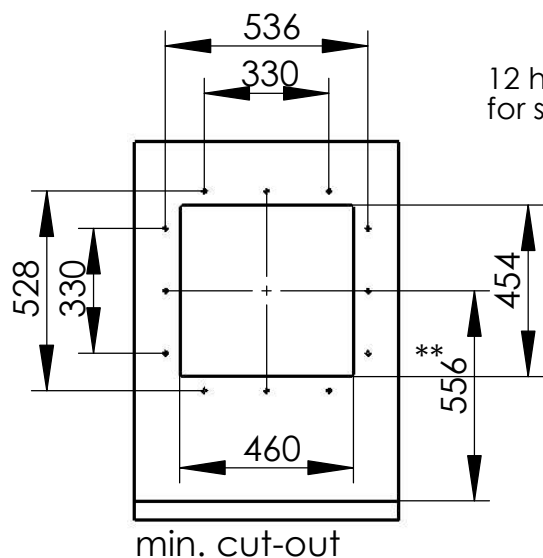


Model 104-08

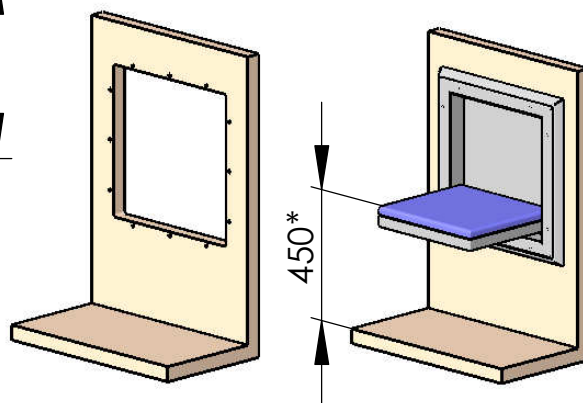
**Spacer frame for flush built-in fold down seat
 to reduce installation depth**



*** 12 holes 8,5 x 8,5 or 12 threads M6



recommended cut-out



* sitting height acc.to BS EN 81-70: 480 to 520 mm
 ** accordingly 586 to 626 mm, instead of 556 mm