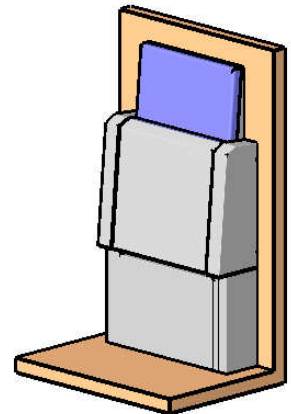
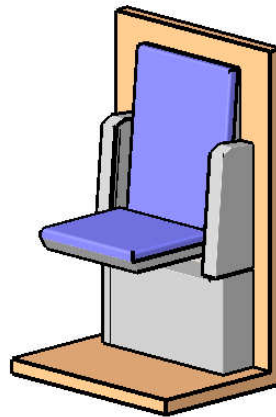


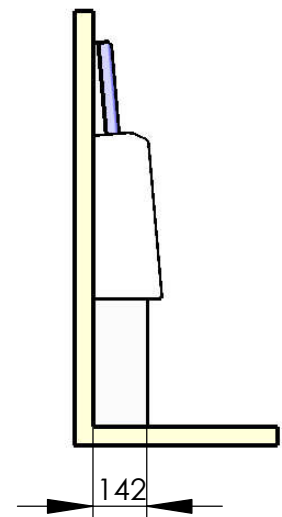
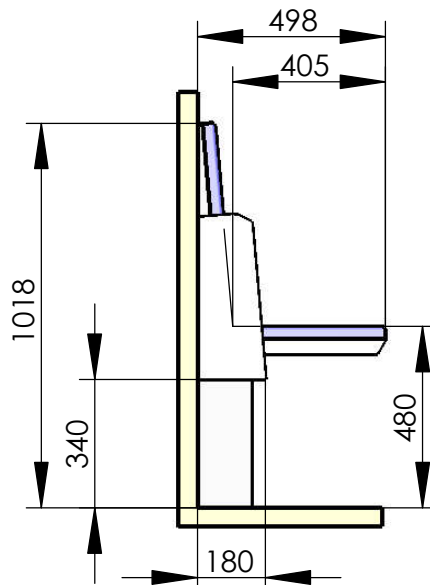
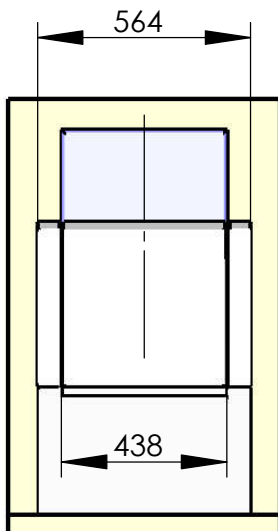
**Model 117-41**

**Dialog**

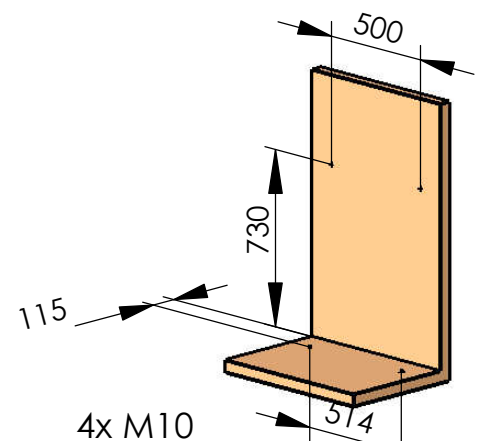
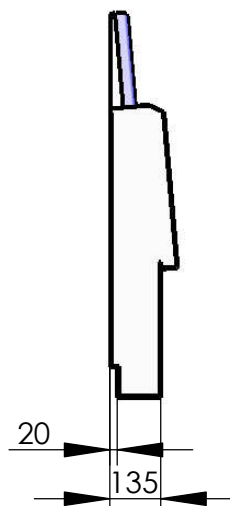
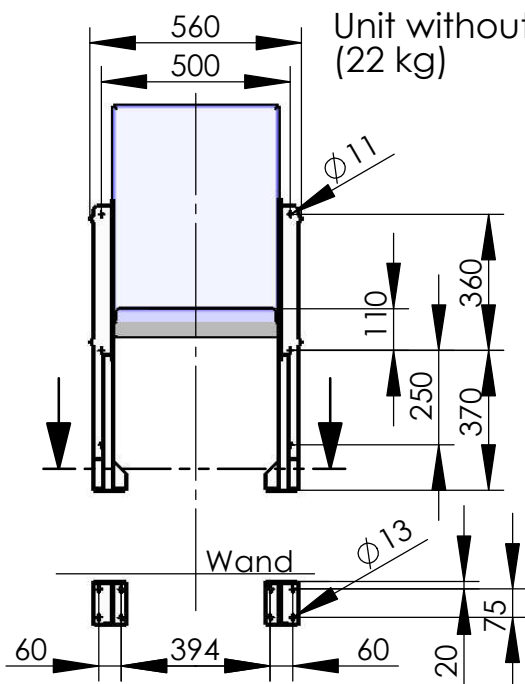
Single seat, floor mounted



total weight: 30 kg



Unit without casings  
 (22 kg)



4x M10

recommended hole pattern